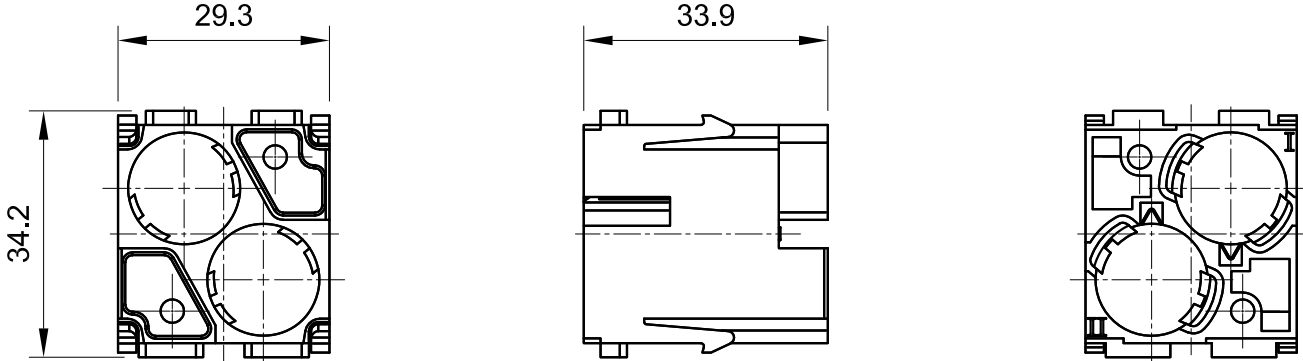
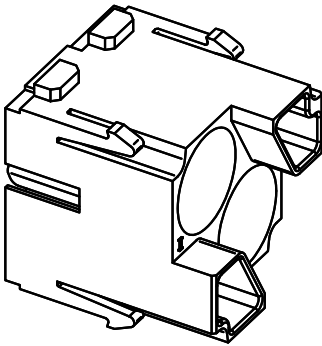



	1	2	3	4	5	6												
A																		
B																		
C	<p>Technical data:</p> <ul style="list-style-type: none"> - No. of contact: 4 + shielding - Termination method: Crimp termination - Gender: Male - Rated current: 10A - Rated voltage: 50V - Rated impulse voltage: 0.8kV - Insulation resistance: $\geq 10^{10}\Omega$ - Contact resistance: $\leq 0.3m\Omega$ - Limiting temperature: -40 ... +125°C - Material(insert): Polycarbonate - Material(shielding): Zinc die-cast, nickel plated - Color(insert): RAL 7032(pebble grey) - Mating cycles: ≥ 500 - Material flammability class acc. to UL94: V-0 - RoHS: Compliant - Specifications: IEC61984, EN60664-1 		<p>技术数据:</p> <ul style="list-style-type: none"> - 针数: 4+ 屏蔽 - 接线方式: 冷压接针 - 公母类型: 公头 - 额定电流: 10A - 额定电压: 50V - 污染等级: 3 - 绝缘阻抗: $\geq 10^{10}\Omega$ - 接触电阻: $\leq 0.3m\Omega$ - 极限温度: -40 ... +125°C - 材料(插芯): 聚碳酸酯 - 材料(屏蔽层): 压铸锌, 镀镍 - 颜色(插芯): RAL 7032(卵石灰) - 插拔次数: ≥ 500 - 材料阻燃性等级符合UL94: V-0 - RoHS: 符合豁免标准 - 规格: IEC61984, EN60664-1 															
D			 InKonn (Suzhou) Electric Technology Co.,Ltd.		<table border="1" style="width: 100%; border-collapse: collapse;"> <tr> <td style="width: 25%;">Date 2022-4-19</td> <td style="width: 25%;">Drawing No. TC1942326</td> <td style="width: 25%;">Rev. A00</td> <td style="width: 25%;">Scale 1:1</td> </tr> <tr> <td>Part No. 10 38 002 0100</td> <td>Created by Han Lyu</td> <td>Checked by Yiyi Luo</td> <td>Page 1/1</td> </tr> <tr> <td colspan="4">Type Name I2M-002-M</td> </tr> </table>	Date 2022-4-19	Drawing No. TC1942326	Rev. A00	Scale 1:1	Part No. 10 38 002 0100	Created by Han Lyu	Checked by Yiyi Luo	Page 1/1	Type Name I2M-002-M				
Date 2022-4-19	Drawing No. TC1942326	Rev. A00	Scale 1:1															
Part No. 10 38 002 0100	Created by Han Lyu	Checked by Yiyi Luo	Page 1/1															
Type Name I2M-002-M																		
	1	2	3	4	5	6												